

20 Litre Electronic Microwave

MEE 1030 X

Owner's Instruction Manual

Blomberg

Read the Instructions carefully and Keep for Future Reference

IMPORTANT SAFETY INSTRUCTIONS. READ CAREFULLY AND KEEP FOR FUTURE REFERENCE

WARNING: When the appliance is operated in the combination mode, children should only use the oven under adult supervision due to the temperatures generated;

WARNING: If the door or door seals are damaged, the oven must not be operated until it has been repaired by a competent person;

WARNING: It is hazardous for anyone other than a competent person to carry out any service or repair operation that involves the removal of a cover which gives protection against exposure to microwave energy;

WARNING: Liquids and other foods must not be heated in sealed containers since they are liable to explode

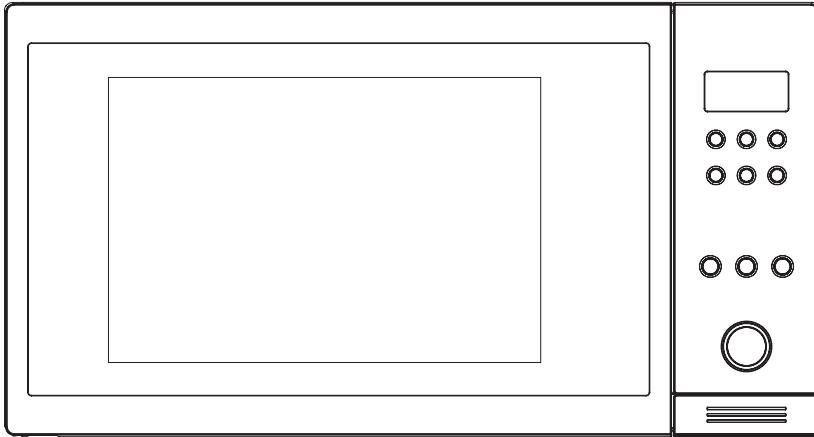
WARNING: Only allow children to use the oven without supervision when adequate instructions have been given so that the child is able to use the oven in a safe way and understands the hazards of improper use;

- Only use utensils that are suitable for use in microwave ovens
- When heating food in plastic or paper containers, keep an eye on the oven due to the possibility of ignition;
- If smoke is observed, switch off or unplug the appliance and keep the door closed in order to stifle any flames;
- Microwave heating of beverages can result in delayed eruptive boiling, therefore care must be taken when handling the container;
- The contents of feeding bottles and baby food jars shall be stirred or shaken and the temperature checked before consumption, in order to avoid burns;
- Eggs in their shell and whole hard-boiled eggs should not be heated in microwave ovens since they may explode, even after microwave heating has ended;
- The oven should be cleaned regularly and any food deposits removed;
- Failure to maintain the oven in a clean condition could lead to deterioration of the surface that could adversely affect the life of the appliance and possibly result in a hazardous situation;
- If the supply cord is damaged, it must be replaced by the manufacturer, its service agent or similarly qualified persons in order to avoid a hazard.

Table of Content

1	Specifications	4
2	Radio Interference.....	5
3	Installation.....	5
4	Important Safety Instructions	7
5	Safety Instructions For General Use	8
6	Operation Instruction.....	11
7	Care Of Your Microwave Oven	14

1 Specifications



Power consumption:	230 V~50 Hz, 1280 W
Output:	800 W
Operating Frequency:	2.450 MHz
Outside Dimensions:	470mm (W) X 377mm (D) X 282mm (H)
Oven Cavity Dimensions:	315mm (W) X 330mm (D) X 195mm (H)
Oven Capacity:	20 litres
Uncrated Weight:	Approx. 13.5 kg

BEFORE YOU CALL FOR SERVICE

1. If the oven will not perform at all, the display does not appear or the display disappears:
 - a) Check to ensure that the oven is plugged in securely. If it is not, remove the plug from the outlet, wait 10 seconds and plug it in again securely.
 - b) Check the premises for a blown circuit fuse or a tripped main circuit breaker. If these seem to be operating properly, test the outlet with another appliance.
2. If the microwave power does not function:
 - a) Check to see whether the timer is set.
 - b) Check to make sure that the door is securely closed to engage the safety interlocks. Otherwise, the microwave energy will not flow into the oven.

Note:

The appliance is for household use for heating food and beverages using electromagnetic energy and for indoor use only.

IF NONE OF THE ABOVE RECTIFIES THE SITUATION, THEN CONTACT THE AUTHORIZED SERVICE AGENT.

2 Radio Interference

Microwave oven may cause interference to your radio, TV, or similar equipment. When interference occurs, it may be eliminated or reduced by the following procedures.

- a. Clean the door and sealing surface of the oven.
- b. Place the radio, TV, etc. as far away from your microwave oven as possible.
- c. Use a properly installed antenna for your radio, TV, etc. to get a strong signal reception.

3 Installation

1. Make sure all the packing materials are removed from the inside of the door.
2. Inspect the oven after unpacking for any visual damage such as:
 - Misaligned Door
 - Damaged Door
 - Dents or Holes in Door Window and Screen
 - Dents in Cavity
 - If any of the above are visible, DO NOT use the oven.
3. This Microwave Oven weighs 13.5 kg and must be placed on a horizontal surface strong enough to support this weight.
4. The oven must be placed away from high temperature and steam.
5. DO NOT place anything on top of the oven.
6. Keep the oven at least 8 cm away from both sidewalls and 10 cm away from rear wall to ensure the correct ventilation.
7. DO NOT remove the turn -table drive shaft.
8. As with any appliance, close supervision is necessary when used by children.

WARNING - THIS APPLIANCE MUST BE EARTHED.

1. The plug socket should be within easy reach of the power cord
2. This oven requires 1.5 KVA for its input consultation with service engineer is suggested when installing the oven.

CAUTION: This oven is protected internally by a 250V, 10 Amp Fuse.

IMPORTANT

The wires in this mains lead are coloured in accordance with the following code:

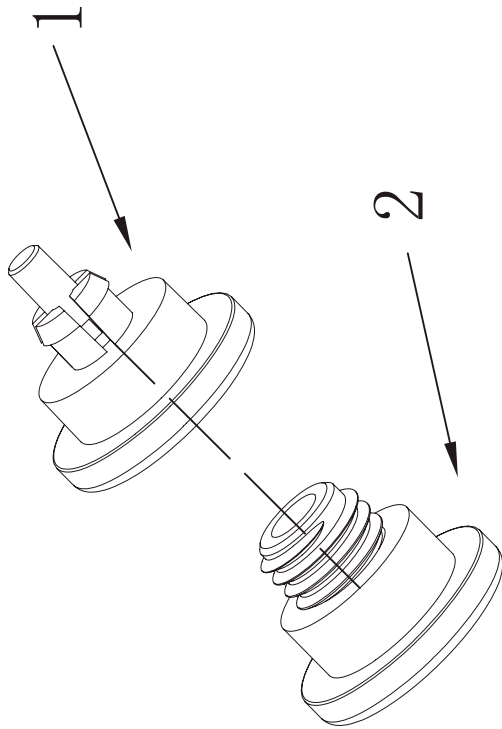
Green-and-yellow : Earth
Blue : Neutral
Brown : Live

As the colours of the wires in the mains leads of the appliance may not correspond with the coloured markings identifying the terminals in your plug, proceed as follows:

The wire which is coloured green-and-yellow must be connected to the terminal in the plug which is marked with the letter E or by the earth symbol \perp coloured green or green-and-yellow.

The wire which is coloured blue must be connected to the terminal which is marked with the letter N or coloured black.

The wire which is coloured brown must be connected to the terminal which is marked with the letter L or coloured red.



ATTENTION: The following steps are for the Microwave Oven models with the Built-in Trim Kit Frame Only.

1. After taking all the accessories out of the microwave oven, turn the microwave oven over on its back and keep the base of the microwave oven facing towards you.
2. Remove the adjustable feet (Fig. No. 2) from the plastic bag and screw them into the holders (Fig. No. 1), one by one.
3. Once all 4 feet are fitted, turn the microwave oven back over onto its feet to check if the adjustable feet are level. If the microwave oven is unstable, adjust the feet by screwing them up or down accordingly.

4 Important Safety Instructions

WARNING: When the appliance is operated in the combination mode, children should only use the oven under adult supervision due to the temperatures generated; (Only for the model with grill function)

WARNING: If the door or door seals are damaged, the oven must not be operated until it has been repaired by a competent person;

WARNING: It is hazardous for anyone other than a competent person to carry out any service or repair operation that involves the removal of a cover which gives protection against exposure to microwave energy;

WARNING: liquids and other foods must not be heated in sealed containers since they are liable to explode.

WARNING: Only allow children to use the oven without supervision when adequate instructions have been given so that the child is able to use the oven in a safe way and understands the hazards of improper use;

- The oven must have sufficient air flow. Keep 10 cm space at back; 15 cm at both sides and 30cms from top of the oven. Don't remove oven's feet, do not block air events of the oven.
- Only use utensils that are suitable for use in microwave ovens.
- When heating food in plastic or paper containers, keep an eye on the oven due to the possibility of ignition;
- If smoke is observed, switch off or unplug the appliance and keep the door closed in order to stifle any flames;
- Microwave heating of beverages can result in delayed eruptive boiling, therefore care must be taken when handling the container;
- The contents of feeding bottles and baby food jars shall be stirred or shaken and the temperature checked before consumption, in order to avoid burns;
- Eggs in their shell and whole hard-boiled eggs should not be heated in microwave ovens since they may explode, even after microwave heating has ended;
- When cleaning surfaces of door, door seal, cavity of the oven, use only mild, nonabrasive soaps, or detergents applied with a sponge or soft cloth.
- The oven should be cleaned regularly and any food deposits removed;
- Failure to maintain the oven in a clean condition could lead to deterioration of the surface that could adversely affect the life of the appliance and possibly result in a hazardous situation;
- If the supply cord is damaged, it must be replaced by the manufacturer, its service agent or similarly qualified persons in order to avoid a hazard.

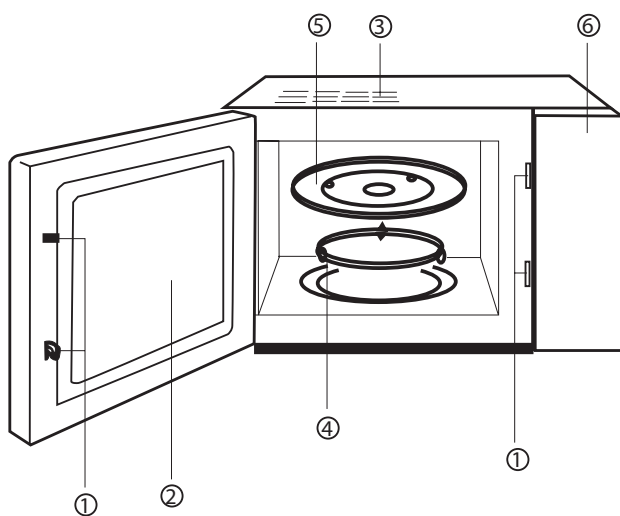
5 Safety Instructions For General Use

Listed below are, as with all appliances, certain rules to follow and safeguards to assure top performance from this oven:

1. Always have the glass tray, roller arms, coupling and roller track in place when operating the oven.
2. Do not use the oven for any reason other than food preparation, such as for drying clothes, paper, or any other nonfood items, or for sterilizing purposes.
3. Do not operate the oven when empty. This could damage the oven.
4. Do not use the oven cavity for any type of storage, such as papers, cookbooks, etc.
5. Do not cook any food surrounded by a membrane, such as egg yolks, potatoes, chicken livers, etc without first being pierced several times with a fork.
6. Do not insert any object into the openings on the outer case.
7. Do not at any time remove parts from the oven such as the feet, coupling, screws, etc.
8. Do not cook food directly on the glass tray. Place food in/on proper cooking utensil before placing in the oven.
9. **IMPORTANT-COOKWARE NOT TO USE IN YOUR MICROWAVE OVEN**
Do not use metal pans or dishes with metal handles.
Do not use anything with metal trim.
Do not use paper covered wire twist-ties on plastic bags.
- Do not use melamine dishes as they contain a material which will absorb microwave energy. This may cause the dishes to crack or char and will slow down the cooking speed.
Do not use Centura Tableware. The glaze is not suitable for microwave use. Corelle Livingware closed handle cups should not be used.
Do not cook in a container with a restricted opening, such as a pop bottle or salad oil bottle, as they may explode if heated in a microwave oven.
Do not use conventional meat or candy thermometers.
There are the thermometers available specifically for microwave cooking. These may be used.
10. Microwave utensils should be used only in accordance with manufacturer's instructions.
11. Do not attempt to deep-fry foods in this oven.
12. Please remember that a microwave oven only heats the liquid in a container rather than the container itself. Therefore, even though the lid of a container is not hot to the touch when removed from the oven, please remember that the food/liquid inside will be releasing the same amount of steam and/or spitting when the lid is removed as in conventional cooking.

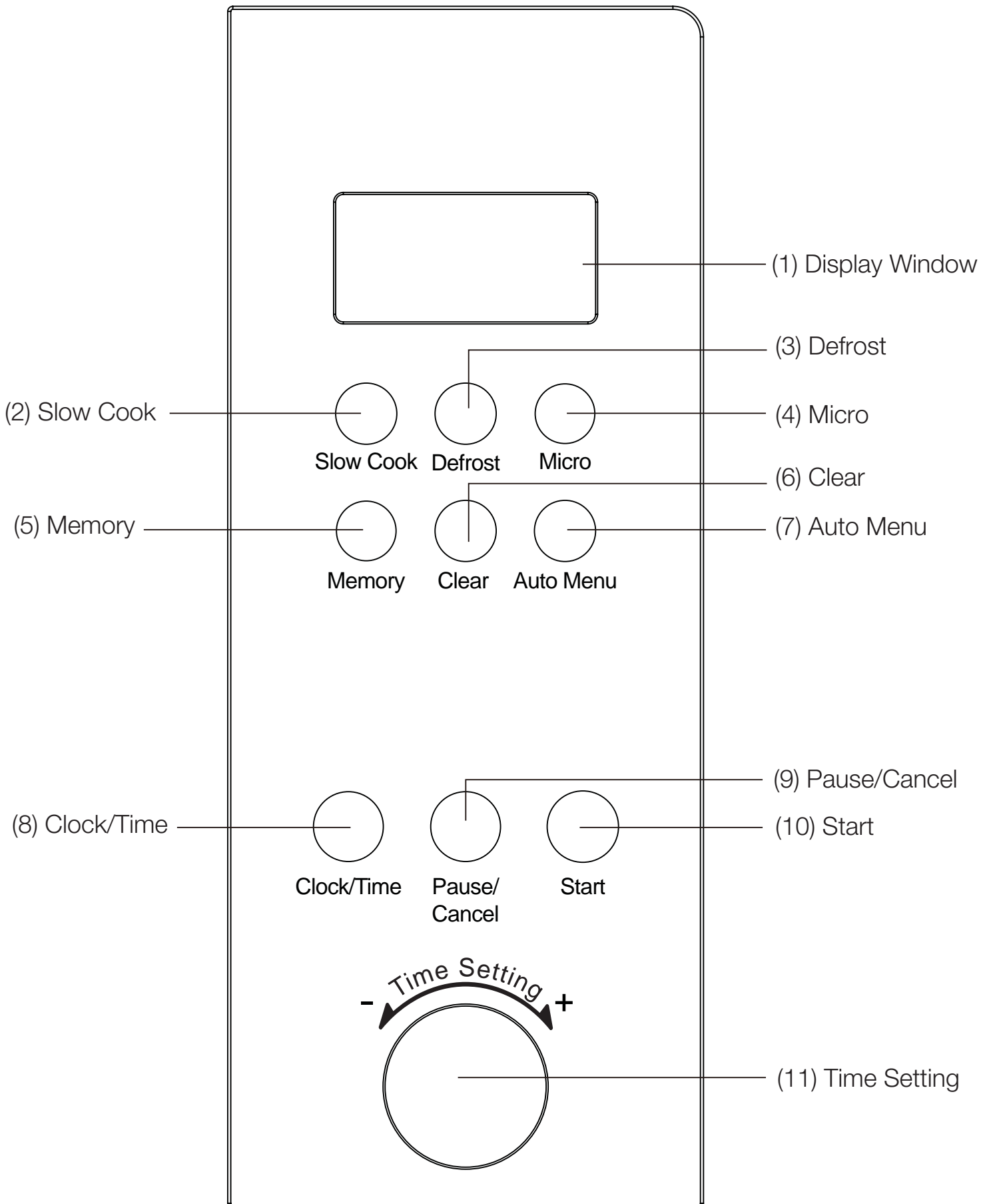
13. Always test the temperature of cooked food yourself especially if you are heating or cooking food/ liquid for babies. It is advisable never to consume food/liquid straight from the oven but allow it to stand for a few minutes and stir food/liquid to distribute heat evenly.
14. Food containing a mixture of fat and water, e.g. stock, should stand for 30-60 seconds in the oven after it has been turned off. This is to allow the mixture to settle and to prevent bubbling when a spoon is placed in the food/liquid or a stock cube is added.
15. When preparing/cooking food/ liquid and remember that there are certain foods, e.g. Christmas puddings, jam and mincemeat, which heat up very quickly. When heating or cooking foods with a high fat or sugar content do not use plastic containers.
16. Cooking utensil may become hot because of heat transferred from the heated food. This is especially true if plastic wrap has been covering the top and handles of the utensil. Potholders may be needed to handle the utensil.
17. To reduce the risk of fire in the oven cavity:
 - (a) Do not overcook food. Carefully attend microwave oven if paper, plastic, or other combustible materials are placed inside the oven to facilitate cooking.
 - (b) Remove wire twist-ties from bags before placing bag in oven.
 - (c) If materials inside the oven should ignite, keep oven door closed, turn the oven off at the wall switch, or shut off power at the fuse or circuit breaker panel.

Feature Diagram



- (1) Door Safety Lock System
- (2) Oven Window
- (3) Oven Air Vent
- (4) Roller Ring
- (5) Glass Tray
- (6) Control Panel

Computer Control Panel



6 Operation Instruction

1. Single Button Heating

Only with a single press of a button, you can start simple cooking, it is very convenient and quick to heat a glass of water etc.

Example: To heat a glass of water

- a) Put a glass of water onto the glass turntable, and close the door.
- b) Press the button “Start”, the microwave oven will work on 100% power for 1 minutes.
- c) You will hear 5 beeps when cooking is complete.

2. Microwave Heating

This function has two options.

- 1) Quick microwave heating (100% power)

Example: To heat food on 100% power for 5 minutes

- a) Rotate the knob “Time setting” to untill “5:00” displayed.
- b) Press “Start”.
- 2) Manual-operation microwave heating.

Example: To heat food on 70% power for 10 minutes,

- a) Press “Micro” button, select “70%” power;
- b) Rotate the knob “Time setting “ to untill “10:00” displayed.
- c) Press “Start”.

There are 5 power levels and the longest microwave heating time is 60 minutes.

Touching times	Microwave power	Display
1	100%	P100
2	70%	P70
3	50%	P50
4	30%	P30
5	10%	P10

3. Slow fire cooking:

The slow fire cooking include 2 grades: S-1 is powerful grade slow fire (31.25% microwave fire); S-2 is weak grade slow fire(18.75% microwave fire).

Example: To cook food on weak slow fire for 1 hour.

- a) Touch “Slow fire” button, select “S-2” button;
- b) Turn encoder switch right to “1H:00”;
- c) Push the start button.

* The longest slow fire cooking time is 3 hours.

Menu Weight (g) Touching Times	A-1 Rice	A-2 Vegetable	A-3 Meat	A-4 Spaghetti	A-5 Fish	A-6 Bread
1	100	100	200	1	100	100
2	200	200	300	2	200	200
3	300	300	400		300	300
4	400	400	500		400	400
5	500	500	600		500	500
6		600	800		600	600
7			1000		700	
8					800	
9					900	
10					1000	

4. Auto weight defrost

Select the food type and weight, it will automatically help you to adjust the power level and time.

Example: Defrost 500 g frozen meat.

- a) Press the button “Auto defrost” , “DEF” will be displayed.
- b) Rotate the knob “Time setting” to set the weight 500g.
- c) Press “Start”

The weight of food must be less than 2000g.

5. Auto-menu

You only need to select the food type and weight, it will help you to automatically adjust the power and time.

Example: Auto cooking 400g meat

- a) Press “Auto menu” button to choose A-3.
- b) Rotate the knob “Time setting” to set weight 400g.
- c) Press “Start”.

6. Memory cooking function:

This function can memorize some useful cooking programmes to avoid resetting time and power operation.

- a) If no memory has been set press “memory” “1” will be displayed, input cooking power and time, press “memory” again, the set program will be memorized. If you press “Start” instead of “memory” button, the oven will start work, and the program also will be memorized.

- b) If there is any memory has been set already, when you press “memory” button, “1” will be displayed, the oven will operate according to the memorized program after you press “Start” button.

The programme will not be kept when the electricity is off.

7. Clear:

This function can make the cavity and food cool, and get rid of the smell of cooking.

Touch “Clear” button, the fan will run 1 minute (at this time, microwave tube and grill tube won’t work), push once, the time of fan running will increase 1 minute. The longest clear time is 15 minutes.

8. Clock

The oven can be used as a clock.

Example: To input current time 16:30

- a) Press “CLOCK”, the clock symbol will flash in display. Rotate the “Time setting” knob to set “16:00”.
- b) Press “CLOCK” again, rotate the “Time setting” knob to set “16:30”
- c) Press “CLOCK” again, the clock setting is finished, the time start to go on working.

9. Timer

The timer function helps the microwave oven begin automatic cooking at set time, and automatically stop operation after finishing cooking. (You should set the clock before using timer function).

Example: The current time of microwave oven is 16:30, to set cooking at 18:15 on 70% power for 10 minutes.

- a) Press "TIMER" and set time to 18:15 (same procedure as setting clock).
- b) Press "Micro" to set 70% power.
- c) Input cooking time 10 minutes by rotating the knob "Time Setting".
- d) Press "Start".

If you don't set power and cooking time (omit B and C steps), and directly press "Start" button, the microwave oven will work only as a clock, there will be 10 beeps at 18:15, but no other function will run.

10. Child-safety lock

To activate the child safety lock, press "Auto Menu" and "Clear" button at the same time for 2 seconds.

Press "Auto Menu" and "Clear" button, at the same time for 2 seconds again, it will unlock this function.

11. Pause/cancel

- a) In the course of operation, pressing (Pause/Cancel) "Pause/Cancel" button will stop operation.
- b) If any program was set before pressing start, pressing this button will cancel all the set program.

7 Care Of Your Microwave Oven

1. Turn the oven off and remove the power plug from the wall socket before cleaning.
2. Keep the inside of the oven clean. When food splatters or spilled liquids adhere to oven walls, wipe with a damp cloth. The use of harsh detergent or abrasives is not recommended.
3. The outside oven surface should be cleaned with a damp cloth. To prevent damage to the operating parts inside the oven, water should not be allowed to seep into the ventilation openings.
4. Do not allow the Control Panel to become wet. Clean with a soft, damp cloth, Do not use detergents, abrasives or spray-on cleaners on the control Panel.
5. If steam accumulates inside or around the outside of the oven door, wipe with a soft cloth. This may occur when the microwave oven is operated under high humidity conditions and in no way indicates malfunction of the unit.
6. It is occasionally necessary to remove the glass tray for cleaning. Wash the tray in warm sudsy water or in a dishwasher.
7. The roller ring and oven cavity floor should be cleaned regularly to avoid excessive noise. Simply wipe the bottom surface of the oven with mild detergent, water or window cleaner and dry. The roller ring may be washed in mild sudsy water or dish washer. Cooking vapour collect during repeated use but in no way affect the bottom surface or roller ring wheels.
When removing the roller ring from cavity floor for cleaning, be sure to replace it in the proper position.
8. Remove odors from your oven by combining a cup of water with the juice and skin of one lemon in a deep microwaveable bowl. Microwave for 5 minutes, wipe thoroughly and dry with a soft cloth.
9. When it becomes necessary to replace the oven light, please consult a dealer to have it replaced.